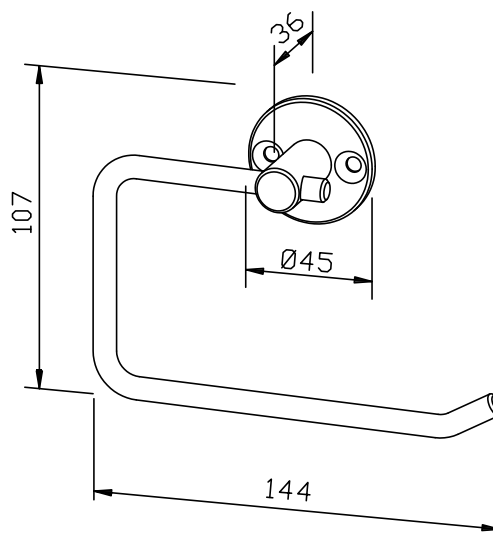


Toilet roll holder in stainless steel



- Toilet roll holder in stainless steel
AISI 303, solid turned.
- Fixing screws visible.
- Can be mounted pointing right or left.
- Wall holder diameter 16 mm,
Roll holder diameter 8 mm.

Suggested text for specifications:

Toilet roll holder in stainless steel
AISI 303, solid turned.

Dimensions 144 x 107 x 36 mm;
includes mounting components.

Article No. PC 250

